

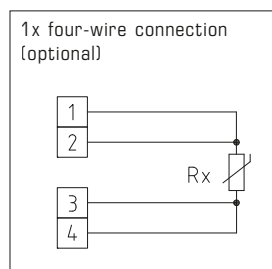
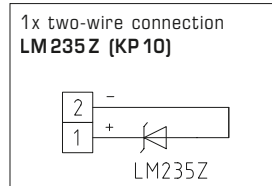
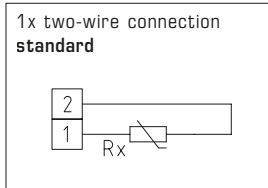
**Outside temperature sensors / wet room temperature sensors  
with passive output**

Outside wall resistance thermometers / weather sensors **THERMASGARD® ATF 2** (external sensor) with passive output and enclosure made of impact-resistant plastic and with quick-locking screws.

It is used to measure outside temperatures, temperatures in wet room areas, e.g. as a weather sensor, for installation on outside walls, in cold storage buildings and greenhouses, in halls, in the industrial sector and in agriculture. Outdoor installation should preferably be performed at the north side of a building or in a protected place. In cases of direct solar irradiation, we recommend the use of our **WS01** or **WS04** sun protection hood (accessory) or the device version with installed sun protection hood **SS02** (available upon request).

**TECHNICAL DATA**

|                        |                                                                                                                                                                                              |
|------------------------|----------------------------------------------------------------------------------------------------------------------------------------------------------------------------------------------|
| Measuring range:       | -50...+90 °C                                                                                                                                                                                 |
| Sensors / output:      | passive (see table),<br>sensor inside external sensor tube,<br>stainless steel <b>V4A</b> (1.4571)<br><b>(Perfect Sensor Protection)</b>                                                     |
| Connection type:       | 2-wire connection<br>(4-wire connection on PT100/PT1000A,<br>optional on other sensors)                                                                                                      |
| Testing current:       | approx. 1 mA                                                                                                                                                                                 |
| Enclosure:             | plastic, UV-stabilised,<br>material polyamide, 30% glass-globe reinforced,<br>with quick-locking screws (slotted / Phillips head combination),<br>colour traffic white (similar to RAL 9016) |
| Enclosure dimensions:  | 72 x 64 x 37.8 mm (Tyr 1)                                                                                                                                                                    |
| Cable gland:           | M 16 x 1.5; including strain relief, exchangeable,<br>max. inner diameter 10.4 mm                                                                                                            |
| Electrical connection: | 0.14 - 1.5 mm <sup>2</sup><br>via terminal screws on circuit board                                                                                                                           |
| Insulating resistance: | ≥ 100 MΩ, at +20 °C (500 V DC)                                                                                                                                                               |
| Permissible humidity:  | < 95% r. H., non-precipitating air                                                                                                                                                           |
| Protection class:      | III (according to EN 60 730)                                                                                                                                                                 |
| Protection type:       | IP 65 (according to EN 60 529)                                                                                                                                                               |
| Optional:              | with sun protection hood <b>SS02</b> (available on request)                                                                                                                                  |

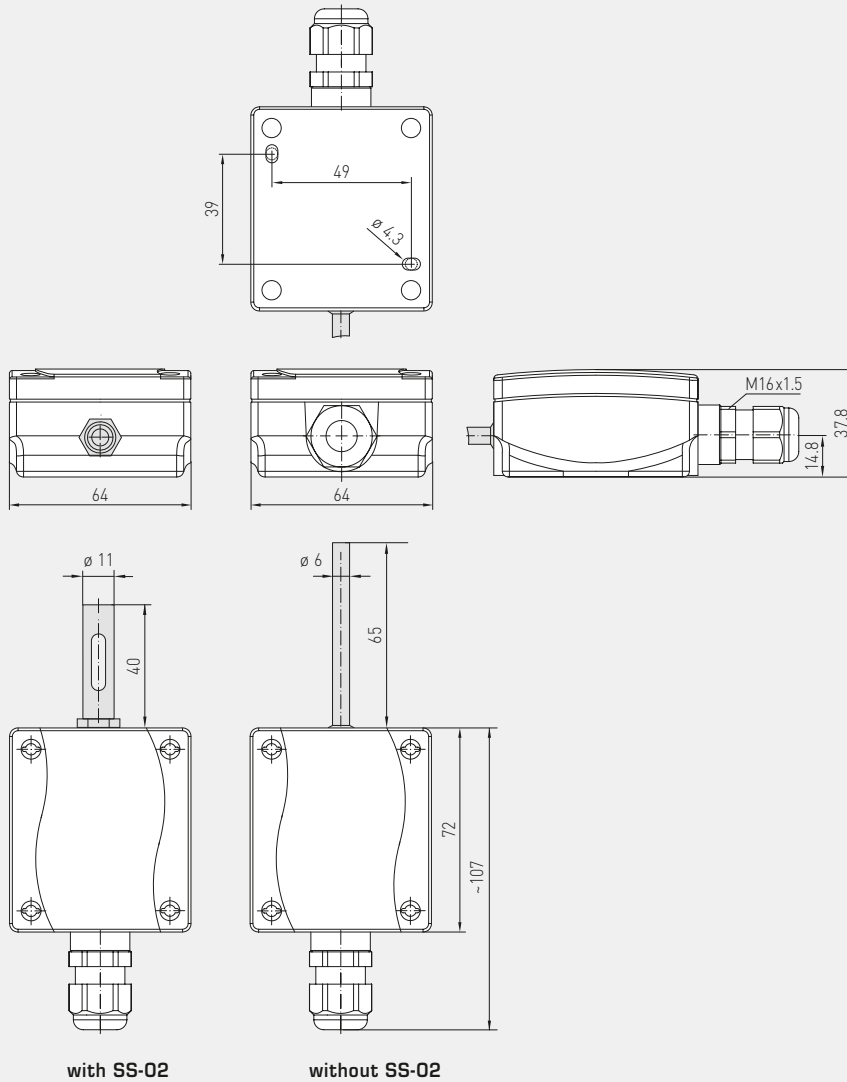


High-performance encapsulation against  
vibration, mechanical stress and humidity



Dimensional drawing

ATF 2



ATF 2



ATF 2  
with SS-02

THERMASGARD® ATF 2 – Outside temperature sensors / wet room temperature sensors

| Type / WG03        | Sensor / Output                                                             | Item No.                 | Price   |
|--------------------|-----------------------------------------------------------------------------|--------------------------|---------|
| <b>ATF 2</b>       | <b>Pt, Ni, LM235Z</b>                                                       | <b>IP65</b>              |         |
| ATF2 PT100         | Pt100 (according to DIN EN 60751, class B)                                  | 1101-1050-1003-000       | 29,85 € |
| ATF2 PT1000        | Pt1000 (according to DIN EN 60751, class B)                                 | 1101-1050-5001-000       | 29,85 € |
| ATF2 PT1000A       | Pt1000 (according to VDI/VDE 3512, class A-TGA)                             | 1101-1050-6003-000       | 40,36 € |
| ATF2 Ni1000        | Ni1000 (according to DIN EN 43760, class B, TCR = 6180 ppm/K)               | 1101-1050-9001-000       | 29,96 € |
| ATF2 NiTK          | Ni1000 TK5000 (TCR = 5000 ppm/K), LG-Ni1000                                 | 1101-1051-0001-000       | 31,46 € |
| ATF2 LM235Z        | LM235Z (TCR = 10 mV/K; 2.73 V at 0 °C), KP10                                | 1101-1052-1001-000       | 31,36 € |
| <b>ATF 2</b>       | <b>NTC</b>                                                                  | <b>IP65</b>              |         |
| ATF2 NTC1,8K       | NTC 1.8K                                                                    | 1101-1051-2001-000       | 31,36 € |
| ATF2 NTC10K        | NTC 10K                                                                     | 1101-1051-5001-000       | 31,36 € |
| ATF2 NTC20K        | NTC 20K                                                                     | 1101-1051-6001-000       | 31,36 € |
| Extra charge:      | Other sensors optional<br>with sun protection hood <b>SS 02</b>             | on request<br>on request | 8,21 €  |
| <b>Accessories</b> |                                                                             |                          |         |
| <b>WS-01</b>       | <b>Sun and ball-impact protection hood, 184x180x80 mm, stainless steel</b>  | 7100-0040-2000-000       | 26,80 € |
| <b>WS-04</b>       | <b>Weather and sun protection hood, 130 x 180 x 135 mm, stainless steel</b> | 7100-0040-7000-000       | 31,62 € |

For further information see last chapter!